

- NOTES**
- All dimensions in metres unless otherwise stated.
 - Refer to drawing B1297000-PH2/3000.01a/0060 R4 for the meanings of the enclosed profiles used to describe environmental functions and elements.

KEY

	Species Rich neutral grassland LE1.3
	Neutral grassland with scrub LE1.3.1
	Open grassland (baldler foraging) LE1.6.1
	Open grassland (improved) LE1.6.2
	Arable LE1.7
	Grass and wildflower seed mix for hydro-seeding on steep soil-slated slopes LE2.1
	New woodland and coppice LE2.1
	Existing woodland to be managed LE2.1.1
	Woodland edge management LE2.2
	Existing vegetation (trees) to be retained LE2.4.1
	New swards LE2.4.1
	Scrub LE2.8
	Amenity trees and shrub planting LE3.1
	Native species hedgerows LE3.3
	Native hedgerows with trees LE4.4
	New woodland edge LE4.4.1
	Water bodies and associated plants LE8.1
	Ditches LE8.2
	Marsh, wet grassland and fen - with widely scattered trees LE8.4.1.1
	New amenity grassland
	Site of Special Scientific Interest (SSSI)
	Site of Nature Conservation Interest (SNCI)
	Land Under the Control of East Sussex County Council
	Planning Application Area

	Proposed dormouse nest boxes
	Phase 1 CPO area
	Fencing
	CPO Boundary
	Standard post and rail LE6.2
	Stock proof LE6.2
	Badger proof LE6.2
	Stock/Badger Proof LE6.2
	Bar Fence LE6.2
	GCN Fence LE6.2
	Drift Fence LE6.2
	Temporary Fence LE6.2
	Post and Wire LE6.2
	Absorptive Noise Barrier (Height 1) LE6.2
	Reflective Noise Barrier (Height 2) LE6.2

JACOBS
Simpson House, 6 Cherry Orchard Road, Goring, Surrey, GU9 8BE
Tel: +44(0)287 666 8272 Fax: +44(0)287 666 8289
www.jacobs.com

HOCHTIEF TRIGLER
LAND CONSTRUCTION
www.hochtief-trigler.com

Client
BEXHILL TO HASTINGS LINK ROAD

Drawing title
ENVIRONMENTAL MASTER PLAN SHEET 10 OF 14

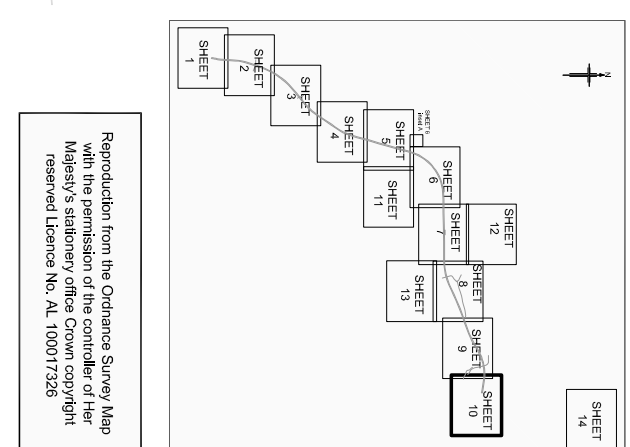
Drawing status
ISSUE FOR REVIEW

Scale
1:1000 @ A1
DO NOT SCALE

Jacobs No.
B1297000

Drawing number
B1297000-PH2/3000.01a/0060 R4

Rev
R4



Reproduction from this drawing is prohibited without the permission of the copyright holder. Reserved. Version No. 01/0001/2020